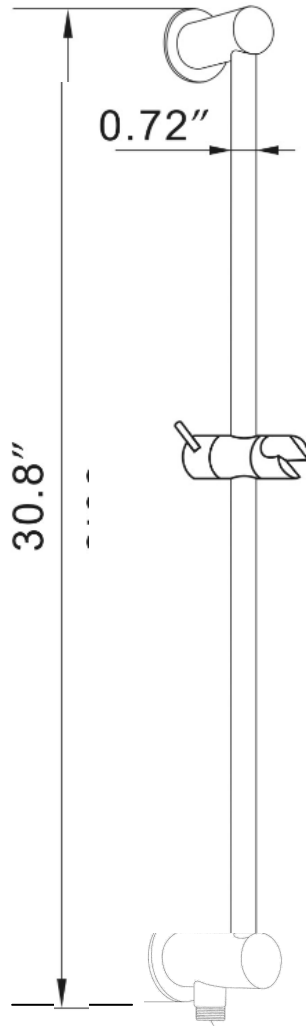


# H<sub>2</sub>O STREAM

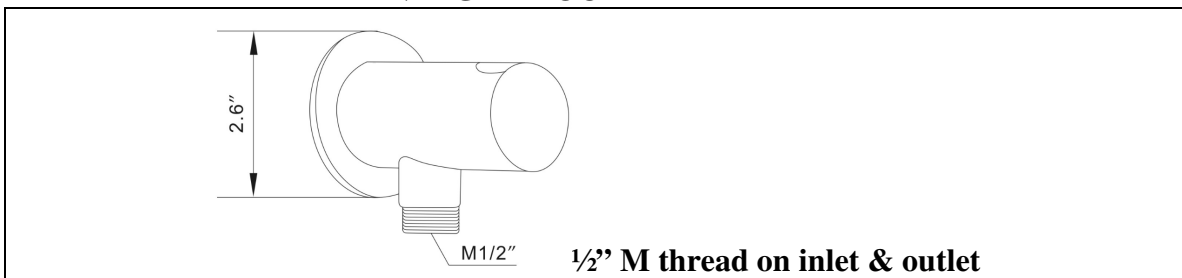


THE SPA SHOWER EXPERIENCE

3021 SPECS



## INTEGRAL OUTLET DETAIL



DIMENSIONS SUBJECT TO CHANGE 5-5-09