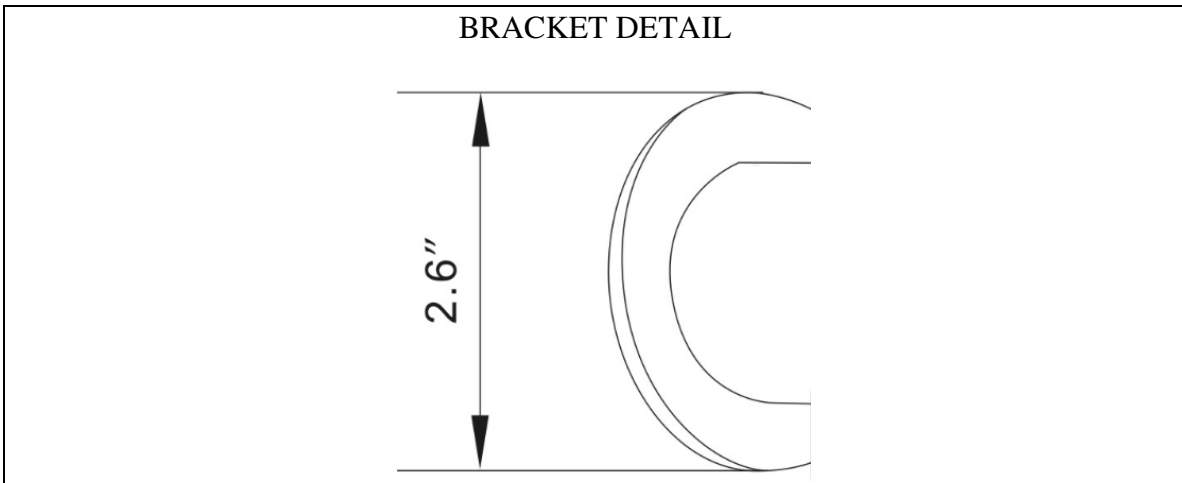
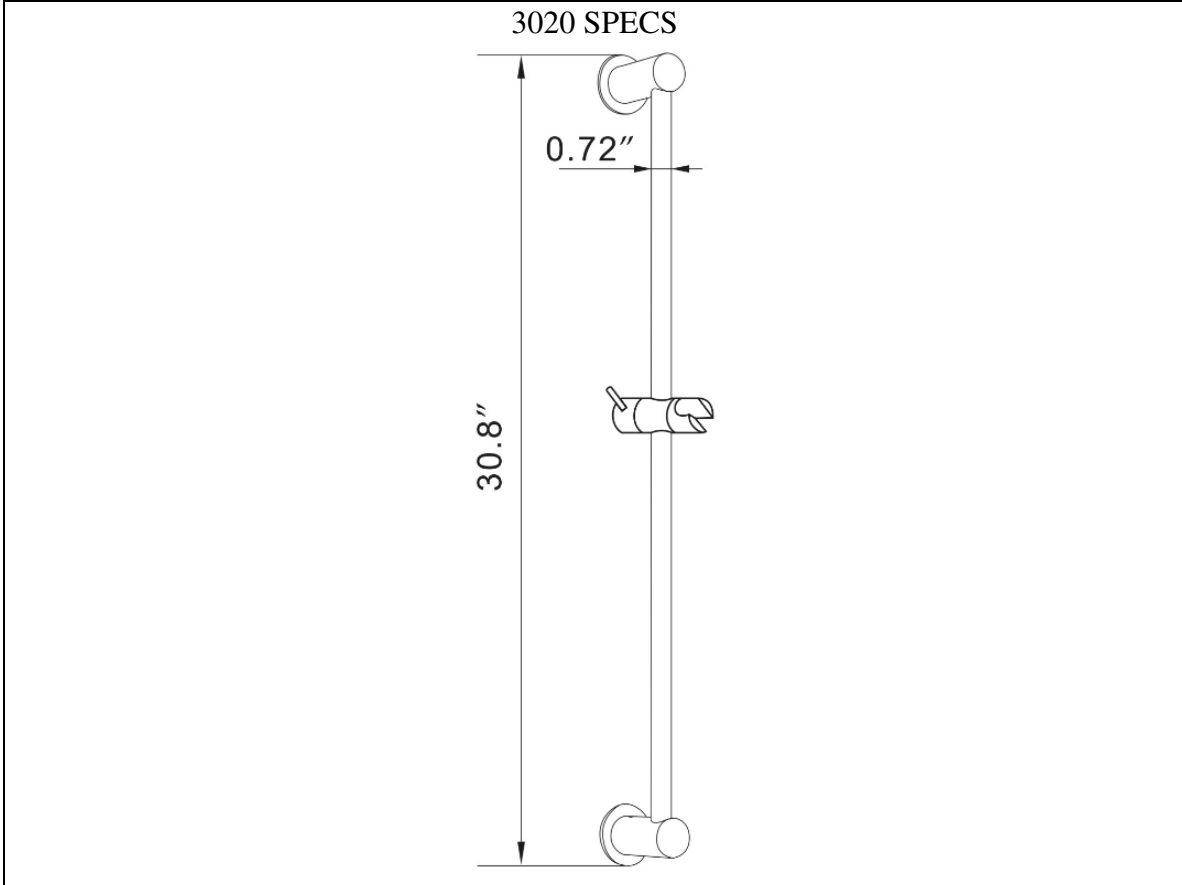




THE SPA SHOWER EXPERIENCE



DIMENSIONS SUBJECT TO CHANGE 5-5-09